

New Wi-Fi Life for Your IP Phone

Wi-Fi USB Dongle WF40 is a low-power, small form factor device that can be implemented within offices for seamlessly connecting their IP phones to available wireless networks. This dynamic plug-and-play style USB device is an ideal office networking solution for companies—particularly, smaller organizations—seeking affordable, convenient and reliable high-speed wireless connectivity.

Supported by a powerful transmission rate of 150 Mbps, the solution is able to quickly and reliably establish Wi-Fi connectivity so that users can optimally communicate, collaborate, access pertinent documents and resources and more. Wi-Fi USB Dongle WF40 is safe, reliable and easy deployment, which guarantees a flexible and optimal user experience.

Even more, Wi-Fi USB Dongle WF40 is compliant with the IEEE802.11n and IEEE802.11b/g standards, maximizing reliability and throughput.

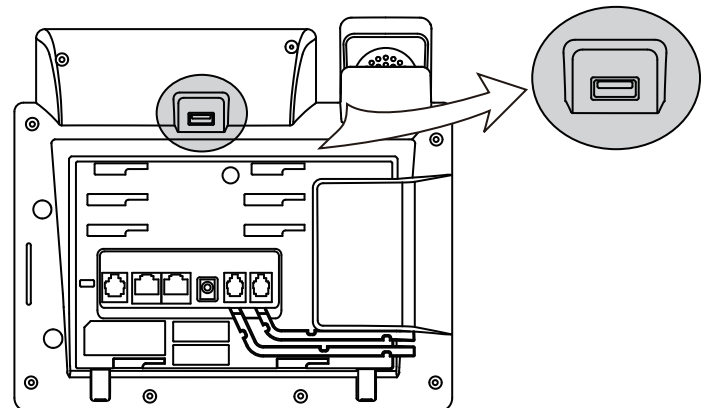


Key Features and Benefits

- > Supports Yealink SIP-T48G
(upgrade to the version of 35.80.0.95 or higher)
- > Reliable Connection
- > Ease-of-use
- > Plug and Play
- > High Transmission Rate
- > Lower Power Consumption

Specifications

- > Network Standard: IEEE802.11b/g/n
- > Transmission Rate: 150 Mbps
- > Frequency Range: 2.4GHz
- > Security: 64/128/152-bit WEP Encryption, WPA-PSK, WPA2-PSK
- > Interface: USB2.0
- > L*W*H: 26.9mm*18mm*8mm
- > Working Temperature: 0°C ~ +50°C (32°F ~ 122°F)
- > Storage Temperature: -40°C ~+85°C (-40°F ~ 185°F)



Certifications



IC: 10741A-WIFI40

Package Features

- > Qty/CTN: 40 PCS
- > N.W/CTN: 1.70 kg
- > G.W/CTN: 2.20 kg
- > Carton Meas: 305mm*260mm*272mm
- > Giftbox Size: 119mm*113mm*26mm

Learn More

To find out how Yealink solutions can help your organization, visit us at www.yealink.com or mail to sales@yealink.com